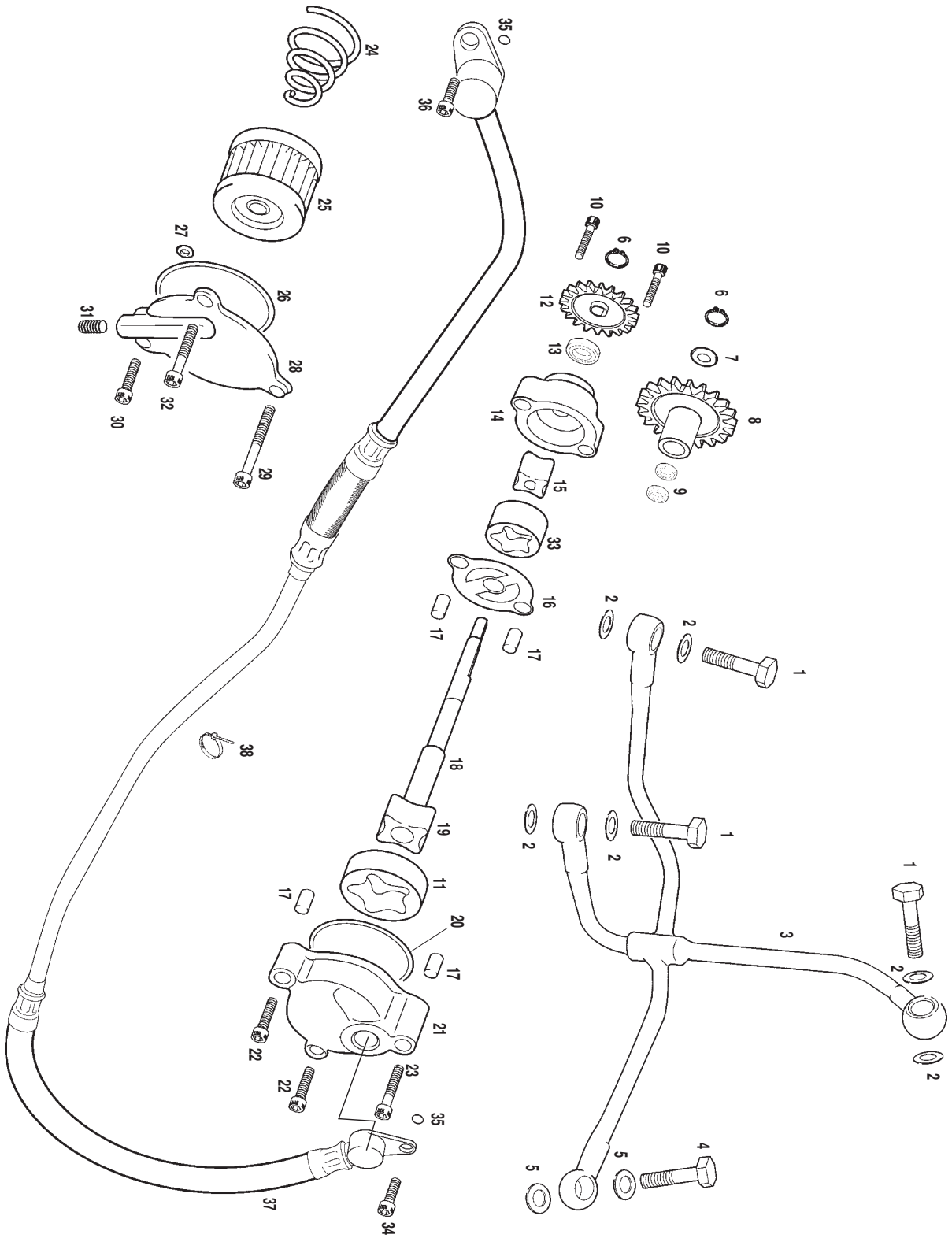


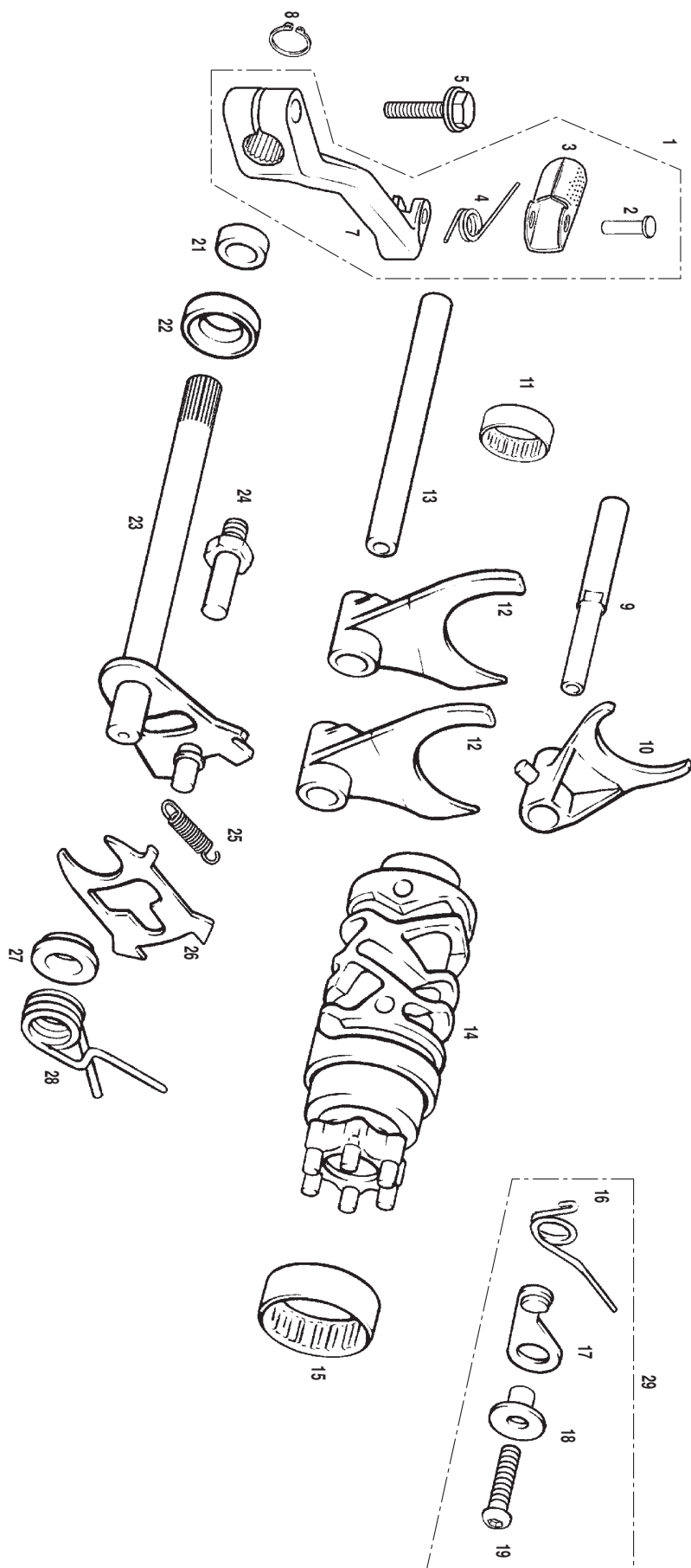
Nº	DESCRIPCION / DESCRIPTION	FSE 2003	Cant.
1	PLATINA TRINQUETE ARRANQUE / KICKSTARTER GUIDE	MFS400136005	1
2	ULS 6X12 / 6X12 ULS	T0506012	3
3	MUELLE TRINQUETE ARRANQUE / KICKSTARTER SPRING	ME25636006	1
4	TRINQUETE ARRANQUE / KICKSTARTER	ME250126004	1
5	SEEGER DE 20 ARRANQUE / CIRCLIP	ME25636052	1
6	ARANDELA TOPE 27X20.2X1 DESP. ARRANQUE / END WASHER 27X20.2X1	ME25636000	1
7	PIÑON ARRANQUE / KICKDRIVE GEAR	ME250126002	1
8	EJE ARRANQUE / KICKSTARTER SHAFT	ME250126003	1
9	ARANDELA ARRANQUE 20X40X1 / KICKSTARTER WASHER 20X40X1	ME25636051	1
10	MUELLE ARRANQUE / KICKSTARTER SPRING	ME25636007	1
11	CASQUILLO CENTRADOR MUELLE ARRANQUE / KICKSTARTER SPRING BUSHING	ME250136053	1
12	RETEN PEDAL ARRANQUE 20X30X7 / KICKSTARTER OIL SEAL 20X30X7	ME25632021	1
13	SOPORTE PIÑON / BEARING SUPPORT	MFS400126010	1
14	JAULAGUJAS K15X18X14 TN / K15X18X14 TN NEEDLES BEARING	MFS400126011	1
15	PIÑON INTERIOR ARRANQUE / KICKSTART INNER PINION	MFS400126001	1
16	VOLANDERA PIÑON ARRAN. 24X15.15X0.8 / WASHER 24.15.15X0.8	ME25636012	1
17	SEEGER EJE 15 EMBRAGUE / CLUTCH AXLE SEEGER 15	ME25632017	1
18	PEDAL Y MUÑEQUILLA PEDAL ARRANQUE / KICKSTARTER LEVER BASE	ME250036061	1
19	CTO. PEDAL ARRANQUE ALUM. MUN. D.18 / KICKSTARTER LEVER SET	MFS400126060	1
20	MUELLE MUÑEQUILLA PEDAL ARRANQUE / KICKSTARTER LEVER SPRING	ME250036066	1
21	BOLA MUÑEQUILLA PEDAL ARRANQUE / KICKSTARTER LEVERBALL	ME250036062	1
22	ARANDELA 6X20X1.5 / WASHER 6X20X1.5	T4006020	1
23	TORNILLO 6X12 CABOTA TORC / TORC SCREW 6X12	T0316012	1



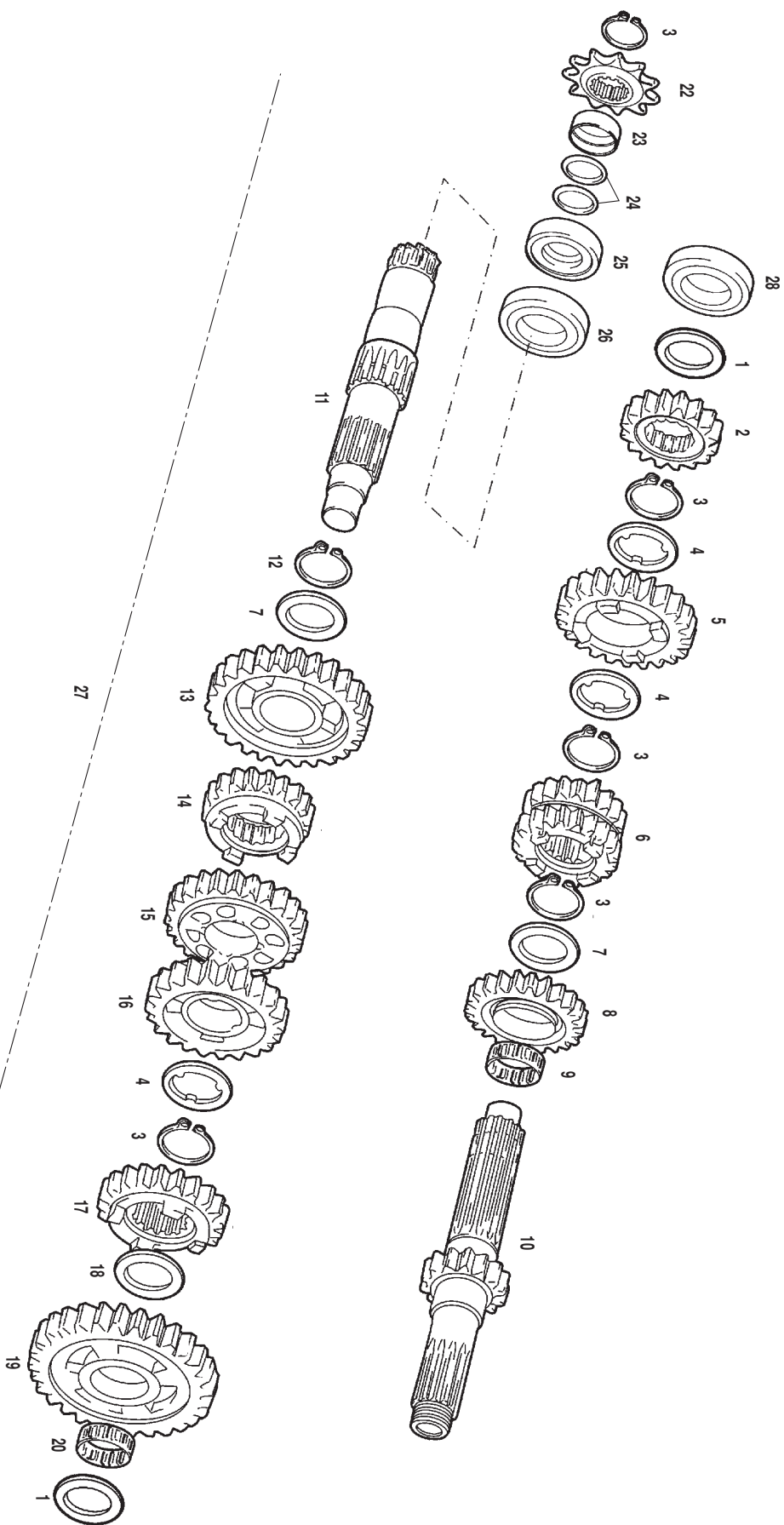
Nº	DESCRIPCION / DESCRIPTION	FSE 2003	Cant.
1	RACORD CIRCUITO ACEITE / RACORD 22 MM.	MFS400122570	3
2	ARANDELA COBRE 8X12X1,5 / 8X12X1,5 WASHER	T4008012	6
3	DISTRIBUIDOR ACEITE / OIL SUPPLY	BFS400110856	1
4	TORNILLO RACORD / RACORD 10 MM.	MFS40011024	1
5	ARANDELA COBRE 11X15X1,5 / 11X15X1,5 WASHER	T4001115	2
6	SEEGER D.8 EJE BOMBA ACEITE / OIL AXIS SEEGER	MFS400122305	2
7	ARANDELA REGLAJE 08,1X17X0,2 / 08,1X17X0,2 WASHER	ST950705	1
8	RUEDA DENTADA / COG WHEEL	MFS400122450	2
9	COJINETE HK 0808 / HK 0808 BEARING	MFS400126535	2
10	TORNILLO 6X35 / 6X35 SCREW	T0306035	1
11	ANILLO BOMBA RECUPERACION D.44 / RETRIEVABLE PUMP RING	MFS400122120	1
12	PIÑON BOMBA ACEITE / OIL PUMP PINION	MFS400122400	1
13	COJINETE 508Z / 508Z BEARING	ME25616032	1
14	CUERPO BOMBA ACEITE PRESIÓN / OIL PUMP BODY	MFS400122230	1
15	ROTOR BOMBA ACEITE / OIL PUMP ROTOR	MFS400122105	1
16	JUNTA BOMBA ACEITE / OIL PUMP GASKET	MFS400122410	4
17	CASQUILLO CENTRADOR / CENTRER BUSHING	MFS400116066	1
18	EJE BOMBA ACEITE / OIL PUMP AXLE	MFS400122300	1
19	ROTOR BOMBA RETORNO / RETURN OIL ROTOR	MFS400122100	1
20	TORICA TAPA BOMBA ACEITE RETORNO / RETURN OIL PUMP COVER O'RING	MFS400122131	1
21	TAPA BOMBA ACEITE RETORNO / OIL PUMP COVER	MFS400122130	2
22	ALLEN 6X25 / ALLEN BOLT 6X25	T0306025	1
23	ALLEN 6X45 / ALLEN BOLT 6X45	T0306045	1
24	MUELLE APRETADOR FILTRO ACEITE / OIL FILTER SPRING	MFS400122560	1
25	FILTRO ACEITE / OIL FILTER	MFS400122550	1
26	TORICA TAPA FILTRO ACEITE / OIL FILTER COVER O'RING	MFS400122555	1
27	TORICA 6X2 EJE CENTR.VAL.ESCAPE / 6X2 O'RING	ME25616045	1
28	TAPA FILTRO ACEITE / AIR FILTER COVER	MFS400122551	1
29	ALLEN 6X50 / ALLEN BOLT 6X50	T0306050	1
30	ALLEN 6X20 / ALLEN BOLT 6X20	T0306020	1
31	TORNILLO ESPECIAL M8 / SPECIAL SCREW M8	T0208108	1
32	ALLEN 6X55 / ALLEN BOLT 6X55	T0306055	1
33	ANILLO BOMBA EATON PRESIÓN / EATON PRESSURE PUMP RING	MFS400122110	1

Nº	DESCRIPCION / DESCRIPTION	FSE 2003	Cant.
34	ALLEN 6X12 / 6X12 ALLEN BOLT	T0306012	1
35	TORICA CENTRIFUGO 6X2	ME25616045	2
36	ALLEN 6X40 / 6X40 ALLEN BOLT	T0306040	1
37	CTO.TUBO METALICO RETORNO / OIL RETURN METALLIC HOSE SET	BFS400232216	1
38	BRIDA MEDIANA 4,8X20 / 4,8X20 CLAMP	BE25634008	1

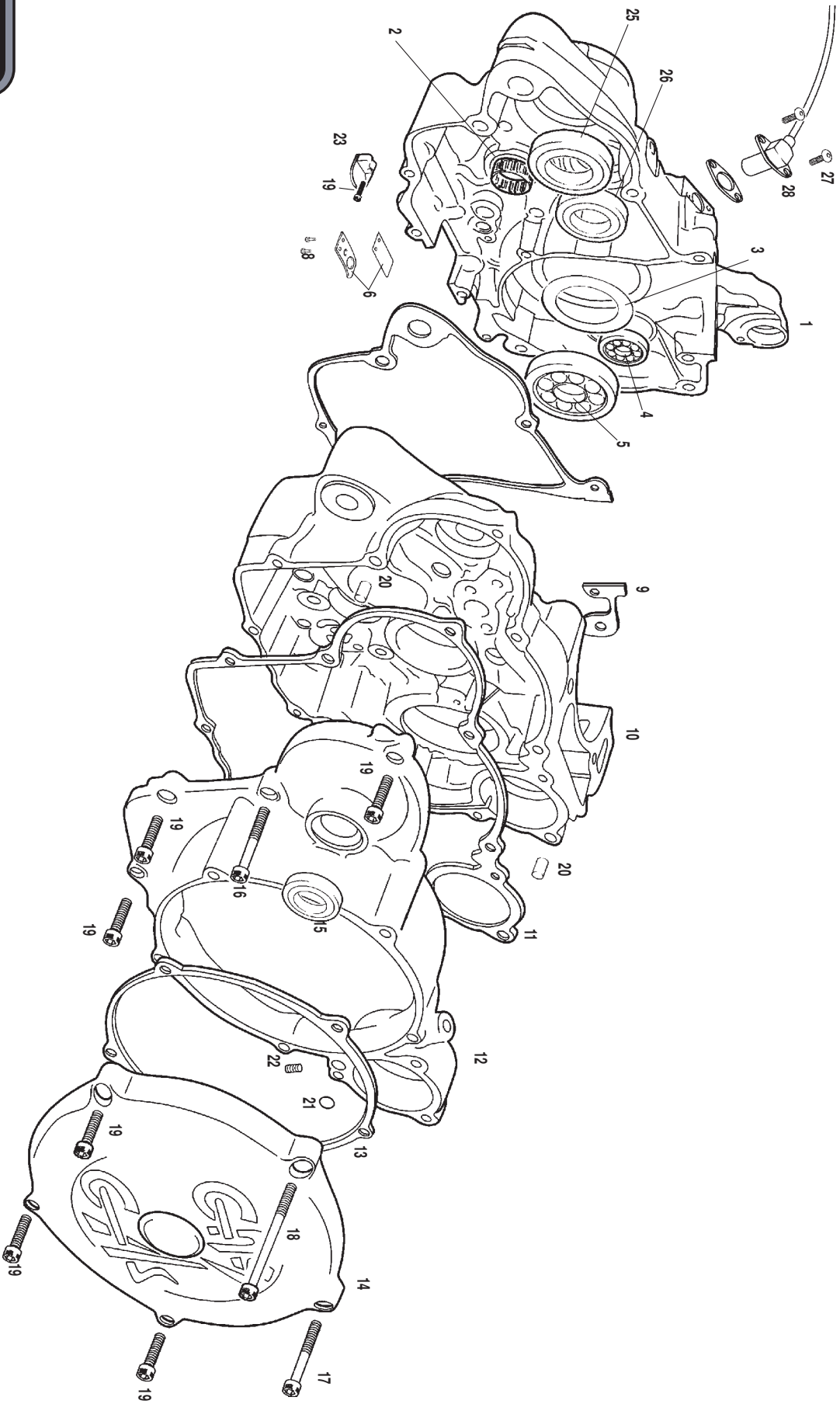




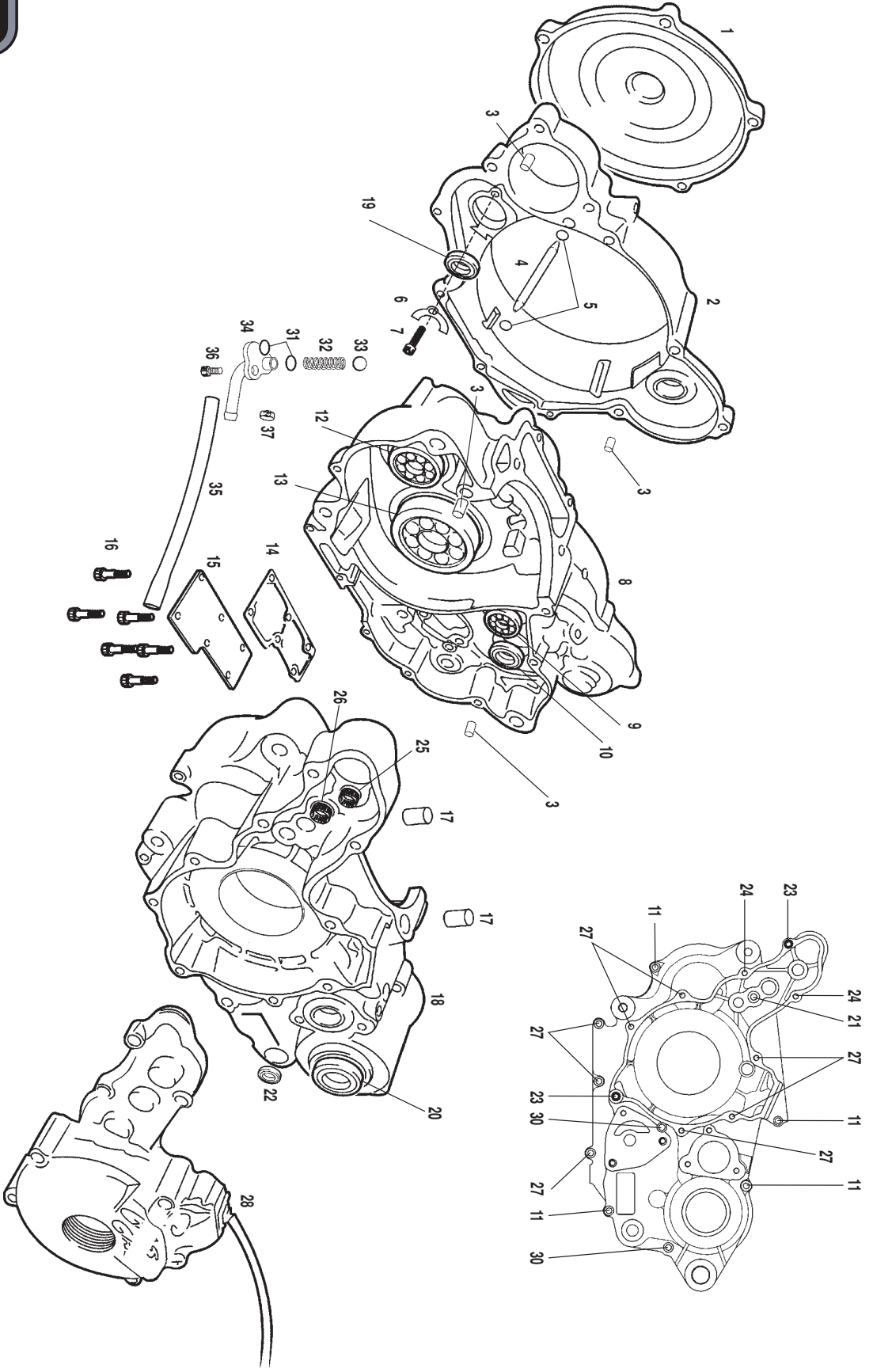
Nº	DESCRIPCION / DESCRIPTION	FSE 400 c.c.	Cant.
1	CTO. PEDAL CAMBIO / GEAR LEVER SET	ME250036026R	1
2	PASADOR PUNTERA PEDAL 6X18 / LEVER END PIN 6X18	ME256636030	1
3	PUNTERA PEDAL CAMBIO / GEAR LEVER END	ME256636027	1
4	MUELLE PUNTERA PEDAL CAMB. / GEAR LEVER END SPRING	ME256636029	1
5	HEXAGONAL 6X25 / HEXAGONAL BOLT 6X25	T0106025	1
7	PEDAL CAMBIO / GEAR LEVER	ME250036026	1
8	SEEGER 12X1 EXTERIOR EJE SELECTOR / SEEGER 12X1	ME256636043	1
9	EJE HORQUILLA 5-6 / 5-6 FORK AXIS	MFS400136045	1
10	HORQUILLA 5-6 / SHIFT FORK 5-6	ME256636009	1
11	RODAMIENTO HK2512 DESMODROMICO / SHIFT CAM BEARING	ME256636055	1
12	HORQUILLA 1-2-3-4 / SHIFT FORK 1-2-3-4	ME256636008	2
13	EJE HORQUILLA 1-2-3-4 / 1-2-3-4 FORK AXIS	ME256636044	1
14	DESMODROMICO / SHIFT CAM	MFS400138031	1
15	RODAMIENTO HK3512 DESMODROMICO / SHIFT CAM BEARING	ME256636054	1
16	MUELLE FIJADOR MARCHAS / GEAR FASTEN SPRING	MFS400136034	1
17	FIJADOR MARCHAS / GEAR FASTEN	MFS400136033	1
18	CASQUILLO PLATINA FIJADOR MARCHAS / GEAR BUSHING	MFS400136047	1
19	ULS 6X16 / 6X16 ULS	T0506016	1
21	RETEN SELECTOR 12-22-7 / SEAL 12-22-7	ME256636048	1
22	CASQUILLO EJE SELECTOR / AXIS BUSHING	ME250136050	1
23	EJE SELECTOR / SELECTOR AXIS	ME250236038	1
24	TORNILLO CENTRADOR MUELLE SELECTOR / SELECTOR SPRING SCREW	ME256636042	1
25	MUELLE ESCORPION / SCORPION SPRING	ME256636039	1
26	ESCORPION / SCORPION	ME250236036	1
27	DOLLA CENTRADOR ESCORPION / SCORPION CENTRER BUSHING	ME250236041	1
28	MUELLE SELECTOR / SELECTOR SPRING	ME256636035	1
29	CTO. FIJADOR MARCHAS / GEAR FASTEN SET	MFS400136033C	1



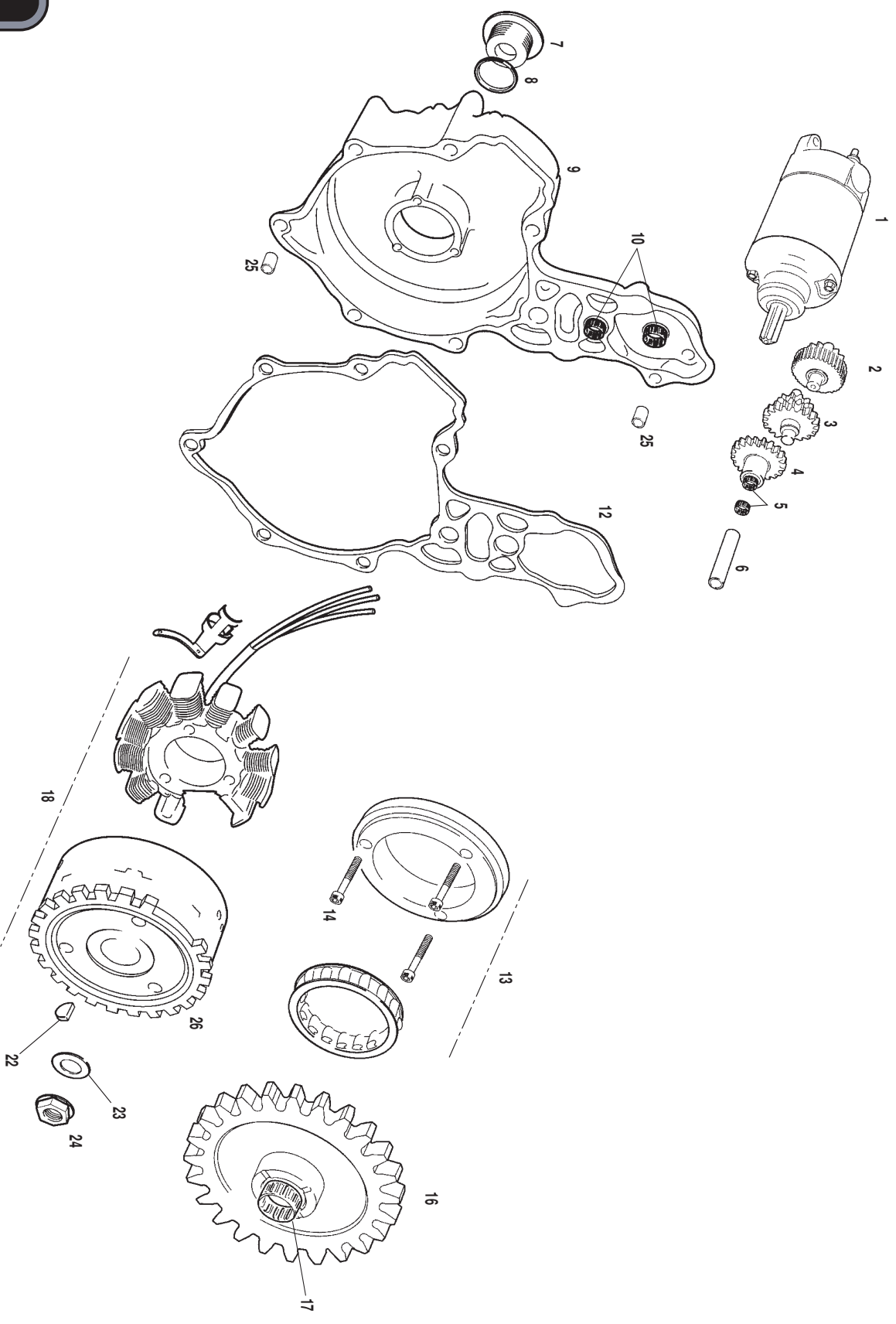
Nº	DESCRIPCION / DESCRIPTION	FSE 2003	Cant.
1	ARANDELA 18x40x0,6 / 18X40X0,6 WASHER	T4001840	2
2	PIÑON PRIMARIO II / PRIMARY II PINION	ME25636071	1
3	CIRCLIP D.25 DIN 471 REBAJADO / DIN 471 CIRCLIP	ME25636084	5
4	ARANDELA 31,5x(25x22)x1 ESTRIADA / 31,5x(25x22)x1 GROOVING WASHER	ME25636091	3
5	PIÑON PRIMARIO VI / PRIMARY VI PINION	ME25636074	1
6	PIÑON PRIMARIO III Y IV / PRIMARY III AND IV PINION	ME25636072	1
7	ARANDELA 25,2x31,5x1 CAMBIO / 25,2x31,5x1 GEAR WASHER	ME25636017	2
8	PIÑON PRIMARIO V / PRIMARY V PINION	ME25636073	1
9	COJINETE AGUJAS K25-29-10 / K25-29-10 NEEDLES BEARING	M02616000	1
10	EJE PRIMARIO / PRIMARY AXIS	ME25636070	1
11	EJE SECUNDARIO / SECONDARY AXIS	ME250136075	1
12	CIRCLIP D.25 DIN 983 / DIN 983 CIRCLIP	ME25636095	1
13	PIÑON SECUNDARIO II / SECONDARY II PINION	ME25636077	1
14	PIÑON SECUNDARIO VI / SECONDARY VI PINION	ME250136081	1
15	PIÑON SECUNDARIO III / SECONDARY III PINION	ME25636078	1
16	PIÑON SECUNDARIO IV / SECONDARY IV PINION	ME25636079	1
17	PIÑON SECUNDARIO V / SECONDARY V PINION	ME25636080	1
18	ARANDELA 20,8x29x1 CAMBIO / 20,8x29x1 GEAR WASHER	ME25636016	1
19	PIÑON SECUNDARIO I / SECONDARY I PINION	ME25636076	1
20	RODAMIENTO AGUJAS K20x24x10 / K20x24x10 NEEDLES BEARING	ME25636059	1
22	PIÑON SALIDA Z. 13 / Z13 EXIT PINION	ME25636025	1
23	DOLLA RETEN SALIDA CAMBIO / GEAR EXIT SEAL	ME25636046	1
24	TORICA 25x2 NBR PIÑON SALIDA / EXIT PINION SEAL	ME25632025	2
25	RETEN 30X40X7 / 30X40X7 SEAL	ME25636024	1
26	RODAMIENTO CAMBIO 6205 ZZ / GEAR 6205 BEARING	ME25636056	1
27	GRUPO CAMBIO COMPLETO / GEAR SET	MFS400136010	1
28	COJINETE 6305 ZZ CAMBIO / GEAR 6305 BEARING	MFS400136167	1



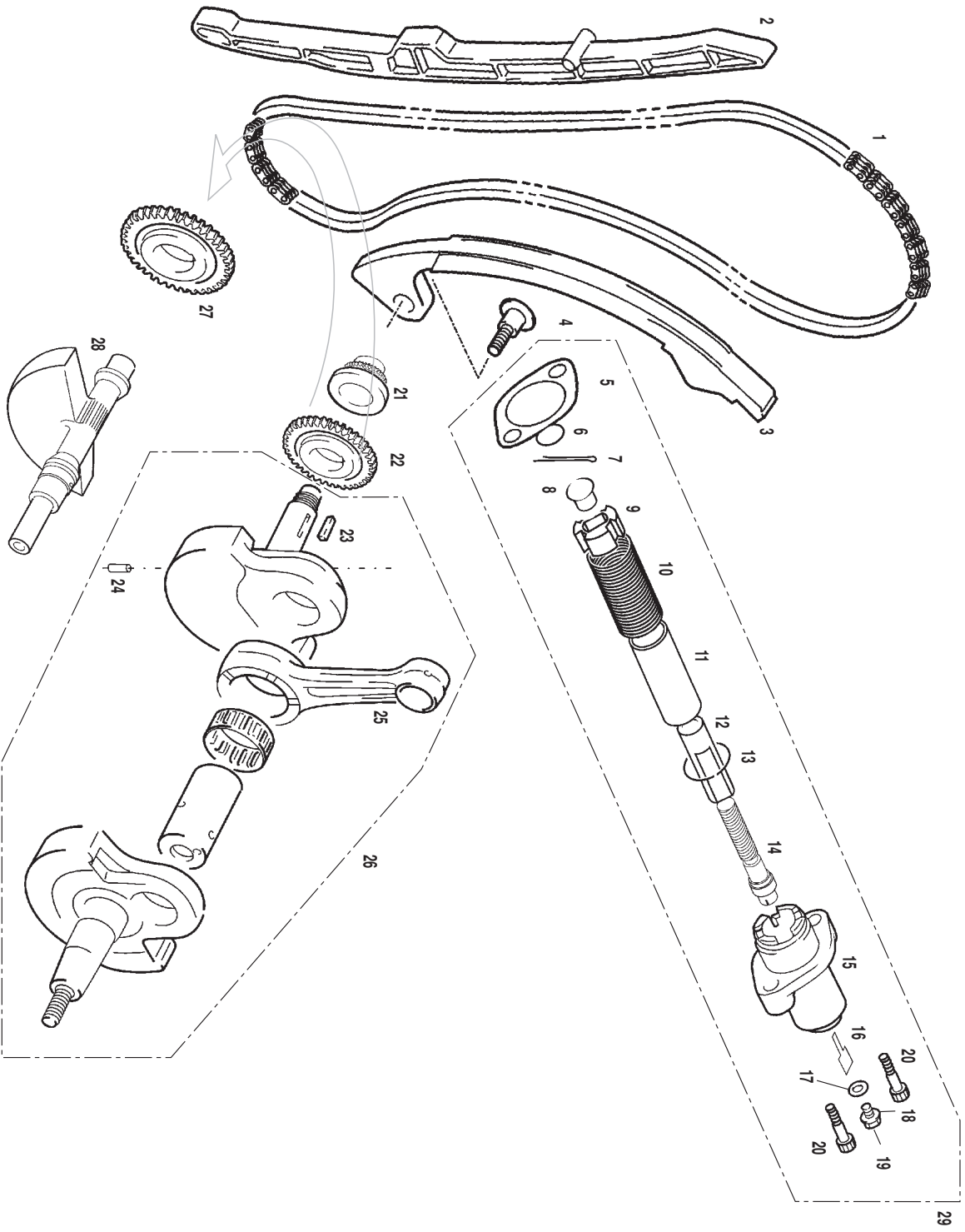
Nº	DESCRIPCION / DESCRIPTION	FSF 2003	Cant.
1	CARTER IZQUIERDO / LEFT CARTER	MFS400310001	1
2	RODAMIENTO HK2512 / HK2512 BEARING	ME25636055	1
3	ARANDELA OBTURACION / WASHER	MFS400112026	1
4	RODAMIENTO 6303 C3 / 6303 C3 BEARING	MFS400112030	1
5	COJINETE 6306 C4 / 6306 C4 BEARING	ME25612006/2	1
6	CTO. LÁMINAS OBTURACIÓN PASO ACEITE / OIL OBTURATION REED KIT	MFS400110120	1
8	ALLEN 6X20 / 6X20 ALLEN BOLT	T0306020	2
9	JUNTA CARTER CENTRAL / CENTRAL CRANKCASE GASKET	MFS400144001	1
10	CARTER DERECHO / RIGHT CRANKCASE	MFS400310000	1
11	JUNTA TAPA EMBRAGUE / CLUTCH COVER GASKET	MFS400144002	1
12	TAPA EMBRAGUE / CLUTCH COVER	MFS400132001	1
13	JUNTA TAPA DISCOS EMBRAGUE / DISCS COVER GASKET	ME25644003	1
14	TAPA DISCOS EMBRAGUE / DISCS CLUTCH COVER	ME250332002	1
15	RETÉN 20/307/AI / 20/307/AI SEAL	ME25632021	1
16	ALLEN 6X 30 / 6X30 ALLEN BOLT	T0306030	1
17	ALLEN 6X 60 / 6X60 ALLEN BOLT	T0306060	1
18	ALLEN 6X 75 / 6X75 ALLEN BOLT	T0306075	1
19	ALLEN 6X 25 / 6X25 ALLEN BOLT	T0306025	10
20	CASQUILLO CENTRADOR CARTER / CRANKCASE BUSHING	ME25610018	3
21	TORICA 6X2 EJE CENTR. VAL. ESCAPE / 6X2 O'RING	ME25616045	1
22	TORNILLO ESPECIAL M6 / M6 SPECIAL SCREW	MFS400136065	1
23	CAMPANA ASPIRACION ACEITE / OIL ASPIRATE	MFS400122550	1
25	COJINETE 6305 2ZC3 / 6305 2ZC3 BEARING	MFS400136167	1
26	COJINETE 6203 2Z C3 / 6203 2Z C3 BEARING	MFS400136168	1
27	ULS 5X9 / 5X9 ULS BOLT	T0505009	2
28	SENSOR GIRO / TURN SENSOR	MFS400180005	1



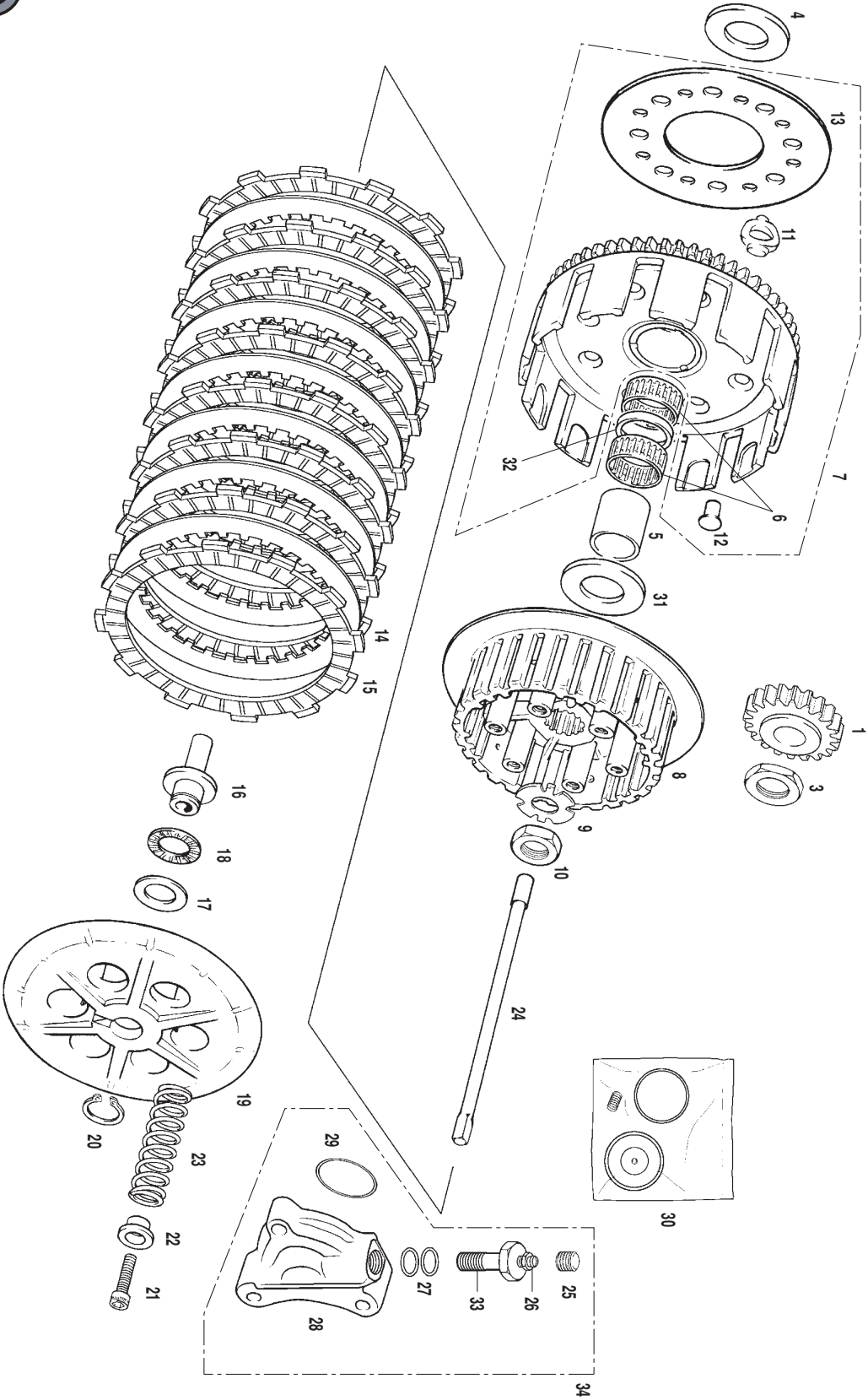
Nº	DESCRIPCION / DESCRIPTION	FSE 2003	Cant.
1	TAPA DISCOS EMBRAGUE / CLUTCH DISCS COVER	ME250332002	1
2	TAPA EMBRAGUE EC400 4T / CLUTCH COVER	MFS400132001	1
3	CASQUILLO CENTRADOR CARTER / CRANKCASE BUSHING	ME25610018	4
4	CONDUCTO ACEITE D.3X8 PISTON / OIL PISTON PIPE	MFS400110023	1
5	TORICA 18X3 / O'RING	MFS400126566	1
6	PLANCHA RETÉN CIGUEÑAL TAPA EMBRAGUE / SEAL PLATE	MFS400112019	1
7	ALLEN M5X10 / 5X10 ALLEN BOLT	T0305010	1
8	CARTER DERECHO ALUMINIO EC400 4T / RIGHT ALUMINIUM CRANKCASE	MFS400310000	1
9	RODAMIENTO 6205 C3 NSK / 6205 C3 NSK BEARING	ME25636056	1
10	RODAMIENTO 6203 2Z C3 SKF / 6203 2Z C3 SKF BEARING	MFS400136168	1
11	ALLEN 6X35 / 6X35 ALLEN BOLT	T0306035	4
12	RODAMIENTO 6303 C3 SKF / 6303 C3 SKF BEARING	MFS400112030	1
13	RODAMIENTO 6306 C4 KOYO / 6306 C4 KOYO BEARING	ME25612006/2	1
14	JUNTA TAPA ACCESO INFERIOR CARTER / INFERIOR CRANKCASE COVER GASKET	MFS400110123/2	1
15	TAPA ACCESO INFERIOR CARTER / INFERIOR CRANKCASE COVER	MFS400110122	1
16	ALLEN 6X16 / 6X16 ALLEN BOLT	T0306016	6
17	CENTRADOR CULATA L18 EC400 4T / CYL. HEAD BUSHING	MFS400116066	2
18	CARTER IZQUIERDO ALUMINIO EC400 4T / LEFT ALUMINIUM CRANKCASE	MFS400310001	1
19	RETEN 24X14X7AS.P-NB / SEAL	MFS400112008	1
20	DOLLA RETEN SALIDA CAMBIO / SEAL BUSHING	ME25636046	1
21	ALLEN 6X70 / 6X70 ALLEN BOLT	T0306070	1
22	RETEN TC12227 EJE SELECTOR / SELECTOR AXIS SEAL	ME25636048	1
23	ALLEN 6X30 / 6X30 ALLEN BOLT	T0306030	2
24	ALLEN 6X25 / 6X25 ALLEN BOLT	T0306025	2
25	JAUJA DE AGUJAS HK0810 INA / HK0810 NEEDLES BEARING	MFS400126021	2
26	JAUJA DE AGUJAS HK1010 INA / HK1010 NEEDLES BEARING	MFS400126022	2
27	ALLEN 6X45 / 6X45 ALLEN BOLT	T0306045	8
28	TAPA VOLANTE MAGNÉTICO / IGNITION COMP. COVER	MFS400110004	1
29	ALLEN 6X50 / 6X50 ALLEN BOLT	T0306050	4
30	ALLEN 6X60 / 6X60 ALLEN BOLT	T0306060	2
31	TORICA 1.78x7.94 TAPA ENTRADA ACEITE CARTER / 1.78x7.94 O'RING	MFS400122311	2
32	MUELLE RETORNO ACEITE EC400-4T / SPRING	MFS400122315	1
33	BOLA CENTRIFUGO EMB.DE 8 m/m. / BALL	ME25616033	1
34	TAPA ENTRADA ACEITE CARTER / OIL INNER COVER	MFS400122310	1
35	TUBO VACIADOR DEPOSITO ACEITE EC400-4T / OIL HOSE	MFS400122150	1
36	ALLEN 6X12 / 6X12 ALLEN BOLT	T0306012	1
37	ABRAZADERA D.12.9-13.6 AMARILLA / 12.9-13.6 YELLOW CLAMP	BE250210047	2



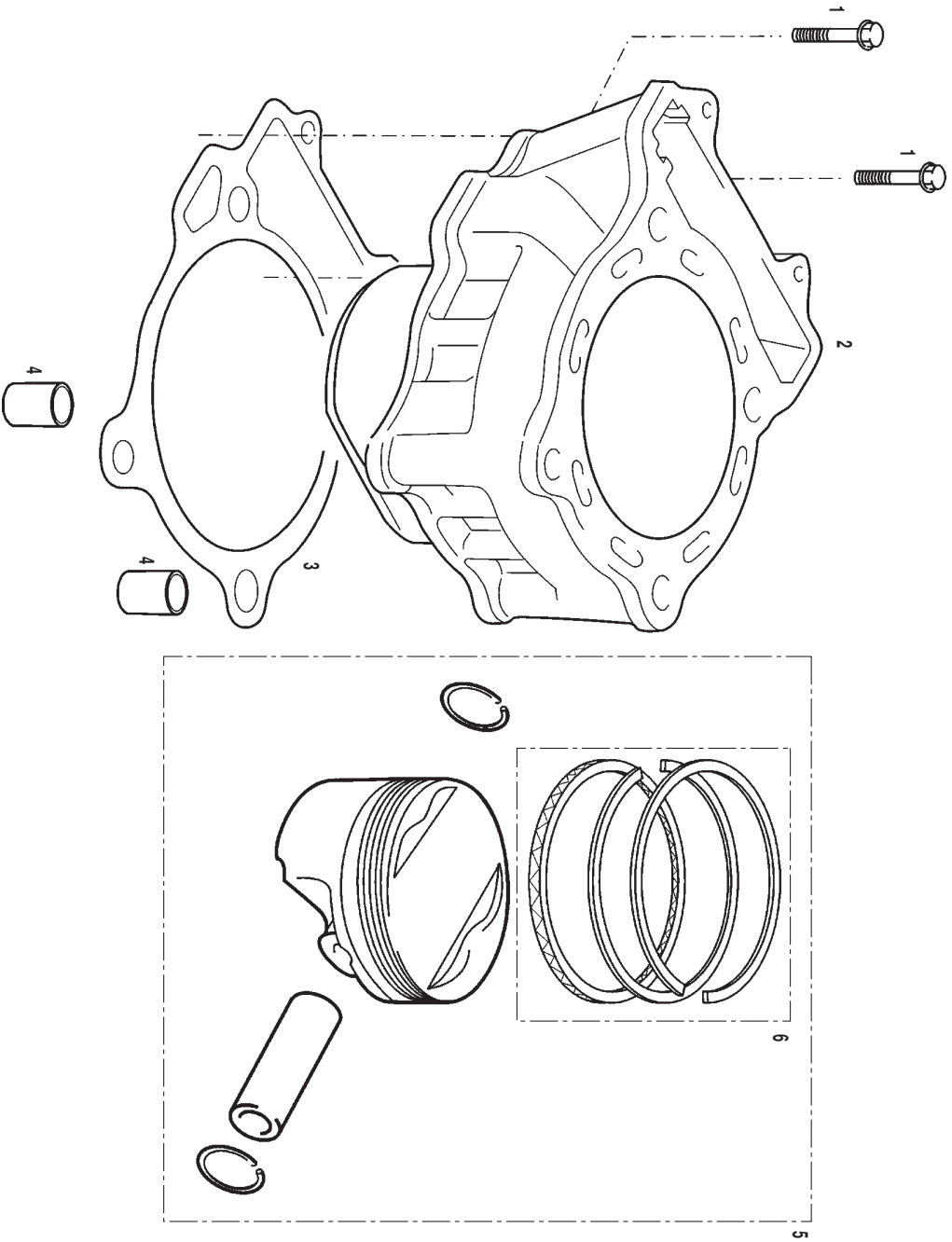
Nº	DESCRIPCION / DESCRIPTION	FSE 2003	Cant.
1	MOTOR ARRANQUE FSE450-2003 / START ENGINE	MFS400326500	1
2	PIÑON ARRANQUE ELECTRICO 36-13 / PINION 1	MFS400126510	1
3	PIÑON ARRANQUE ELECTRICO 19-12 / PINION 2	MFS400126520	1
4	PIÑON ARRANQUE ELECTRICO 20 / PINION 3	MFS400126530	1
5	COJINETE DE AGUJAS HK 1012 / HK 1012 NEEDLES BEARING	MFS400326023	2
6	EJE PIÑON ARRANQUE / STARTER PINION AXIS	MFS400126505	1
7	TAPON TAPA ENCENDIDO / STARTER COVER TAP	MFS400126562	1
8	TORICA 27.4x2.4 / 27.4x2.4 O'RING	MFS400126563	1
9	TAPA ENCENDIDO / STARTER COVER	MFS400110004	1
10	JAULA DE AGUJAS HK1010 / HK1010 NEEDLES BEARING	MFS400126022	2
12	JUNTA TAPA ENCENDIDO / IGNITION COVER GASKET	MFS400144004	1
13	CTO.EMBRAGUE ARRANQUE SF44/16 KZ EC400-4T / IGNITION CLUTCH SET	MFS400126550/2	1
14	ALLEN 8X14 / 8X14 ALLEN BOLT	T0308014	3
16	CORONA DE ARRANQUE / STARTER	MFS400126540/2	1
17	COJINETE DE AGUJAS ARRANQUE / INGITION NEEDLES BEARING	MFS400126020	1
18	VOLANTE MAGNETICO / MAGNETIC MOBILE	MFS400134005	1
22	CHAVETA VOLANTE / MOBILE PIN	MFS400134016	1
23	ARANDELA TUERCA ALTERNADOR 12.25x27x2 / 12.25x27x2 WASHER	MFS400134012	1
24	TUERCA VOLANTE / MOBILE NUT	MFS400134011	1
25	CASQUILLO CENTRADOR TAPA ENCENDIDO / IGNITION COVER CENTRER	MFS400116350	2
26	RUEDA FÓNICA / COUNTERWHEEL	MFS400180103	1



1	CADENA DISTRIBUCIÓN / CAM SHAFT DRIVE CHAIN	MFS400116360	1
2	GUÍA CADENA DISTRIBUCIÓN DELANTERA / CAM CHAIN GUIDE	MFS400116364	1
3	GUÍA CADENA DISTRIBUCIÓN TRASERA / CAM CHAIN TENSIONER	MFS400116363	1
4	TORNILLO FIJACIÓN PAT. GUÍA CADENA DISTRIBUCIÓN / CHAIN GUIDE SCREW	MFS400116365	1
5	JUNTA TENSOR DISTRIBUCIÓN EC400-4T / CHAIN TENSOR GASKET	MFS4001144025	1
6	ANILLO ELÁSTICO TENSOR CADENA EC400-4T / CHAIN TENSOR O-RING	MFS400116411	1
7	PASADOR ELÁSTICO D2X12 EC400 / ELASTIC PIN	MFS400116409	1
8	APRETADOR TENSOR CADENA DISTRIBUCIÓN / CHAIN TENSOR PUSHER	MFS400116403	1
9	CRUZ TENSOR CADENA DISTRIBUCIÓN / CHAIN TENSOR BUSHING	MFS400116402	1
10	MUELLE TORSIÓN TENSOR CADENA / CHAIN TENSOR SPRING	MFS400116410	1
11	TUBO TENSOR CADENA DISTRIBUCIÓN / CAM SHAFT CHAIN TENSOR HOSE	MFS400116404	1
12	TUERCA EMPUJADOR TENSOR CADENA / CHAIN TENSOR PUSHER WASHER	MFS400116405	1
13	ANILLO ELÁSTICO TENSOR CADENA / CHAIN TENSOR ELASTIC RING	MFS400116411	1
14	TORNILLO EMPUJADOR TENSOR CADENA / CHAIN TENSOR PUSHER BOLT	MFS400116406	1
15	TENSOR CADENA DISTRIBUCIÓN / CHAIN TENSOR	MFS400116400	1
16	PLACHA FRENADO TENSOR CADENA / CHAIN TENSOR LOCK	MFS400116408	1
17	ARANDELA CLINGERIT 6X15X0.5 / 6X15X0.5 WASHER	MFS400116407	1
18	ARANDELA 6X12X2 / 6X12X2 WASHER	T4006013	1
19	TORNILLO HEXAGONAL 6X8 / HEXAGONAL BOLT 6X8	T0106008	1
20	ALLEN 6X25 / 6X25 ALLEN BOLT	T0306025	1
21	PIÑÓN CADENA DISTRIBUCIÓN / CAM CHAIN DRIVE SPROCKET	MFS400116361	1
22	ENGRANAJE ARBOL DE LEVAS 400 4T / CAMSHAFT SPROCKET	MFS400116370	1
23	CHAVETA LADO EMBRAGUE EC400 4T / GEAR KEY	MFS400112010	1
24	AGUJA 5X8 CIGUEÑAL / PIN	MFS400112022	1
25	CONJUNTO BIELA / CONNECTING ROD	MFS400112100	1
26	CONJUNTO CIGUEÑAL / CRANKSHAFT SET	MFS400112000	1
27	PIÑÓN EJE DE BALANCE / DRIVE GEAR	MFS400112002	1
28	EJE BALANCE / CRANK BALANCER	MFS400112003	1
29	CONJUNTO TENSOR CADENA / CHAIN TENSION ADJUSTER SET	MFS400116420	1

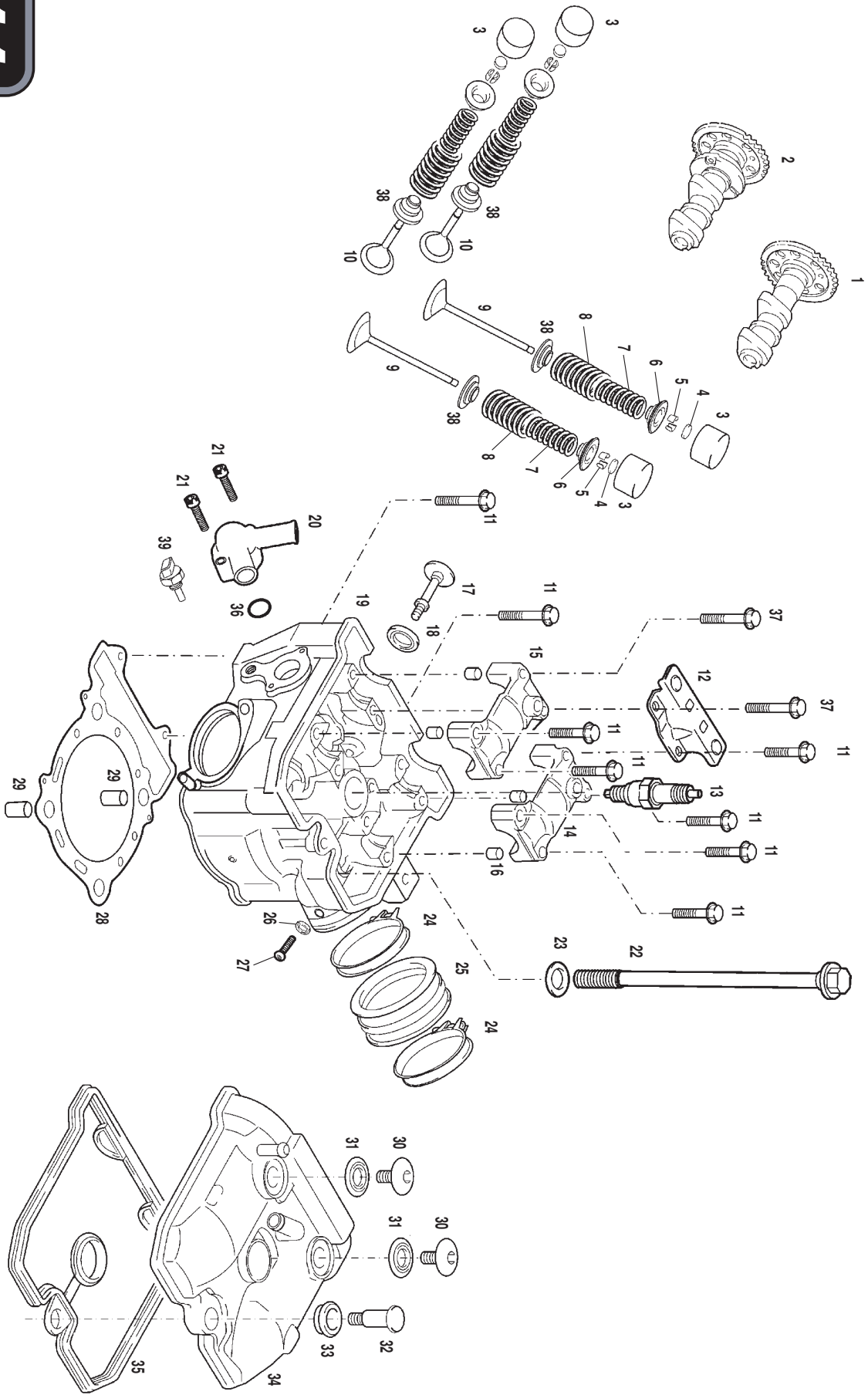


Nº	DESCRIPCION / DESCRIPTION	FSE 2003	Cant.
1	PIÑON CIGÜENAL TRANS PRIMARIA / PRIM. TRANS. CRANK SHAFT PIN.	MFS400112004	1
3	TUERCA BLOCAJE PIÑON CIGÜENAL / CRANK SHAFT PINION LOCKING NUT	ME25632018	1
4	ARANDELA CAMPANA EMBR. / WASHER	MFS400132011	1
5	CASQUILLO CAMPANA EMBRAGUE / PRIMARY DRIVEN GEAR BUSHING	MFS400132012	1
6	COJINETE CAMPANA EMBRAGUE / PRIMARY DRIVEN GEAR BEARING	ME25632029	2
7	CTO. CORONA EMBRAGUE / PINION SET	MFS400132003	1
8	CUBO EMBRAGUE / CLUTCH BOSS	ME25632005	1
9	ARANDELA PRECINTO EMBRAGUE / CLUTCH LOCK WASHER	ME25632022	1
10	TUERCA FIJACIÓN CUBO EMBRAGUE / CLUTCH BOSS NUT	ME25632028	1
11	SILENTBLOCK CORONA / SILENTBLOCK	ME20932008	8
12	REMACHE CAMPANA EMBRAGUE / PRIMARY DRIVEN GEAR RIVETS	ME250132010	8
13	ARANDELA CORONA EMBRAGUE / CLUTCH BOSS WASHER	MFS400132009	1
14	DISCO EMBRAGUE HIERRO / IRON CLUTCH DISK	ME25632037	7
15	DISCO EMBRAGUE FORRADO / COVERED CLUTCH DISK	ME25632007	8
16	BOLET EMBRAGUE / CLUTCH PIN	ME25632014	1
17	ARANDELA COJINETE / BEARING WASHER	ME25632016	1
18	JAULA AGUA VALVULA ESCAPE / NEEDLES BEARING	ME25632046	1
19	PRESA EMBRAGUE 4898A / PRESSURE PLATE BEARING	ME25632006	1
20	SEEGER EJE 15 EMBRAGUE / CLUTCH SEEGER AXLE 15	ME25632017	1
21	ALLEN 6X20 / ALLEN BOLT 6X20	T0306020	6
22	CASQUILLO MUELLE EMBRAGUE ALUMINIO / ALUMINIUM CLUTCH SPRING BUSHING	ME250032020	6
23	MUELLE EMBRAGUE / CLUTCH SPRING	MFS450332015	6
24	VARILLA EMBRAGUE / CLUTCH ROD	MFS400132040/2	1
25	TAPÓN SANGRADOR / BLEEDER CAP	BE25622055	1
26	SANGRADOR PINZA EMBRAGUE / BLEEDER	BE25622060	1
27	ARANDELA LATIGUILLO / HOSE WASHER	BE25622007	2
28	PINZA EMBRAGUE HIDRÁULICO / HYDRAULIC CLUTCH CALIPER	ME25632026	1
29	TORICA BOMBA EMBRAGUE / CLUTCH PUMP O'RING	ME25632024	1
30	KIT REPARACIÓN PINZA EMBRAGUE / CLUTCH CALIPER KIT	BE25622050	1
31	ARANDELA CAMPANA EMBRAGUE ENDURO 2T / CLUTCH 2T BELL WASHER	ME25632011	1
32	CASQUILLO COJINETE CAMPANA EMBRAGUE / BUSHING BEARING	MFS400132036	1
33	RACORD PINZA EMBRAGUE / RACORD CLUTCH CALIPER	M01030000	1
34	CONJUNTO PINZA EMBRAGUE FSE / FSE CLUTCH CALIPER KIT	MFS400132026	1



Nº	DESCRIPCION / DESCRIPTION	FSE 400	FSE 450	Cant.
1	TORNILLO ESPECIAL 6X25 / 6X25 SPECIAL SCREW	T0606025		2
2	CILINDRO EC 4T / EC4T CYLINDER	MFS400116022		1
3	JUNTA CILINDRO EC 4T / EC 4T CLINDER GASKET	MFS400144000	MFS450316022	1
4	CASQUILLO CENTRADOR CULATA / HEAD CYLINDER BUSHING	MFS400116066		2
5A	CONJUNTO PISTON A / A PISTON SET	MFS400116020	MFS450316020	1
5B	CONJUNTO PISTON B / B PISTON SET	MFS400116121	MFS450316121	1
5C	CONJUNTO PISTON C / C PISTON SET	MFS400116122	MFS450316122	1
5D	CONJUNTO PISTON D / D PISTON SET	MFS400116123	MFS450316123	1
6	CONJUNTO AROS PISTON / PISTON O'RING SET	MFS400116040	MFS450316040	1



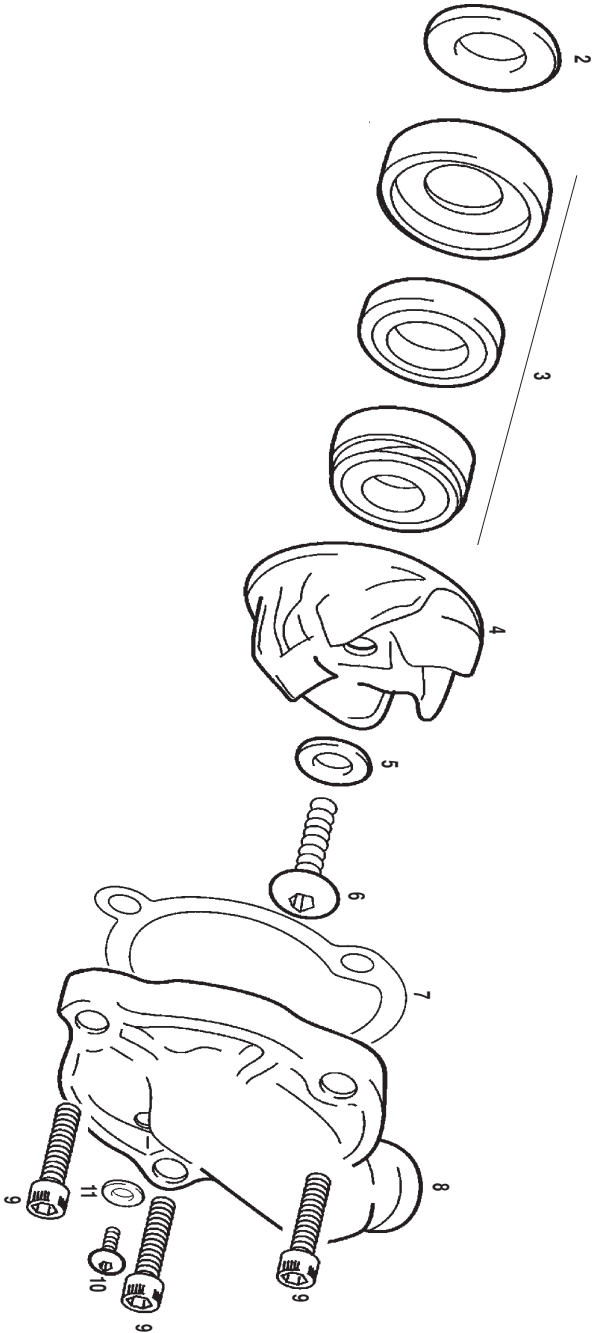


Nº	DESCRIPCION / DESCRIPTION	FSE 400	FSE 450	Cant.
1	ARBOL DE LEVAS ADMISION / INTAKE CAMSHAFT	MFS400116353		1
2	ARBOL DE LEVAS ESCAPE / EXHAUST CAMSHAFT	MFS400116354		1
3	VASO EMPUJADOR VÁLVULA / TAPPET	MFS400116300		4
4	PASTILLA REGLAJE BASE VÁLVULA / TAPPET SHIM	MFS400116044		4
5	SEMICONO FSE400 / VALVE COTTER	MFS400116048		8
6	PLATILLO SEMICONO / SPRING RETAINER	MFS400116047		4
7	MUELLE INTERIOR / INTERIOR VALVE SPRING	MFS400116059		4
8	MUELLE VÁLVULA EXTERIOR / EXTERIOR VALVE SPRING	MFS400116058		4
9	VÁLVULA ADMISION / INTAKE VALVE	MFS400116043		2
10	VÁLVULA ESCAPE / EXHAUST VALVE	MFS400116015		2
11	TORNILLO 6X40 / 6X40 BOLT	MFS400116351		8
12	GUÍA CADENA DISTRIBUCION SUPERIOR / UPPER CAM SHAFT GUIDE	MFS400116362/2		1
13	BUJIA NGK CR8 E / NGK CR8 E SPARK PLUG	MFS400134000		1
14	PUENTE ARBOL LEVAS ADMISION / INTAKE CAM SHAFT JOURNAL HOLDER	MFS400116357		1
15	PUENTE ARBOL LEVAS ESCAPE / EXHAUST CAM SHAFT JOURNAL HOLDER	MFS400116358		1
16	CASQUILLO CENTRADOR TAPA ARBOL LEVAS / PIN	MFS400116350		4
17	TORNILLO ESPECIAL CULATA M7 / CYLINDER HEAD SPECIAL SCREW	MFS400116067		1
18	ARANDELA CULATA 11X25X4,5 / 11X25X4,5 CYLINDER HEAD WASHER	T4001126		1
19	CULATA / CYLINDER HEAD	MFS400116000		1
20	TUBERA SALIDA AGUA CULATA EC400-4T / THERMOSTAT COVER	MFS400116104		1
21	ALLEN NEGRO 5X30 / 5X30 BLACK ALLEN BOLT	T0305030N		2
22	TORNILLO M10X175 / M10X175 BOLT	T0201070		1
23	ARANDELA 10.5X19X2 / 10.5X19X2 WASHER	T4001019		1
24	ABRAZADERA 40-60 / 40-60 CLAMP	BE25610033		2
25	TUBERA ADMISION EC 400 4T / INTAKE	MFS400116131		1
26	ARANDELA 8X16X1,5 / 8X16X1,5 WASHER	T4008016		1
27	ULS 8X12 / 8X12 ULS BOLT	T0508012		1
28	JUNTA CULATA EC 4T / CYLINDER HEAD GASKET	MFS400144020	MFS450344020	1
29	CASQUILLO CENTRADOR CULATA / CYLINDER HEAD BUSHING	MFS400116066		2
30	TORNILLO ESPECIAL 7X17,5 / 7X17,5 SPECIAL SCREW	T0207017		2
31	ARANDELA TAPA CULATA 11X25X2 / 11X25X2 WASHER	T4001125		2
32	TORNILLO ESPECIAL 7X31 / 7X31 SPECIAL SCREW	T0207031		1
33	ARANDELA TAPA CULATA 12X23X5/7,5 / 12X23X5/7,5 CYLINDER HEAD WASHER	T4001223		1

CASCAS Motor 11

Nº	DESCRIPCION / DESCRIPTION	FSE 2003	Cant.
34	TAPA CULATA / CYLINDER HEAD	MFS400116100	1
35	JUNTA TAPA CULATA / CYLINDER HEAD GASKET	MFS400144015	1
36	TORICA 24X2 TUBERA SALIDA AGUA CULATA / WATER EXIT GASKET	MFS400116105	1
37	TORNILLO M6X45 TAPA ARBOL LEVAS LARGO / 6X45 SCREW	MFS400116352	2
38	ARANDELA MUELLE VÁLVULA / SPRING SEAT WASHER	MFS400116049	4
39	SENSOR AGUA / WATER SENSOR	MFS400180004	1





Nº	DESCRIPCION / DESCRIPTION	FSE 2003	Cant.
2	ARANDELA 25.8x17.5x0.5 BOMBA AGUA / 25.8x17.5x0.5 WASHER	M03625000	1
3	JUEGO RETENES / SEAL SET	ME25610014	1
4	TURBINA BOMBA AGUA / WATER PUMP IMPELLER	ME25610007	1
5	ARANDELA 6X10X1 / 6X10X1 WASHER	T4005010	1
6	ALLEN 6X16 / 6X16 ALLEN BOLT	T0506016	1
7	JUNTA TAPA BOMBA AGUA / WATER PUMP COVER GASKET	MFS400144008	1
8	TAPA BOMBA AGUA / WATER PUMP COVER	MFS250210008	1
9	ALLEN 6X20 / 6X20 ALLEN BOLT	T0306020	3
10	ULS 6X10 / 6X10 ULS	T0506010	1
11	ARANDELA FIBRA 6MM. / 6MM WASHER	T4006010	1

